



GLASS DOOR

CSJC-01 SURFACE MOUNTED TYPE FIRE HOSE REEL CABINET

ITEM NO.	L × W × H	HOSE SPECIFICATION
CSJC-01-A	600×210×600	19mm×20m, 19mm×25m
CSJC-01-B	680×230×680	25mm×20m, 25mm×25m
CSJC-01-C	760×230×720	25mm×30m
DO OEM	S.S & M.S MATERIAL	



SINGLE DOOR

CSJC-02 SURFACE MOUNTED TYPE FIRE HOSE REEL CABINET

ITEM NO.	L × W × H	HOSE SPECIFICATION
CSJC-02-A	600×210×600	19mm×20m, 19mm×25m
CSJC-02-B	760×230×720	19mm×30m, 25mm×36m
CSJC-02-C	760×240×760	19mm×30m, 25mm×36m
CSJC-02-D	840×300×840	25mm×30m, 25mm×40m
DO OEM	S.S & M.S MATERIAL	



DOUBLE DOORS

CSJC-03 SURFACE MOUNTED TYPE FIRE HOSE REEL CABINET

ITEM NO.	L × W × H	HOSE SPECIFICATION
CSJC-03-A	1030×230×720	25mm×30m
CSJC-03-B	1050×280×800	25mm×30m
DO OEM	S.S & M.S MATERIAL	



GLASS DOOR

CSJC-04 SURFACE MOUNTED TYPE FIRE HOSE REEL CABINET

ITEM NO.	L × W × H	HOSE SPECIFICATION
CSJC-04-A	680×230×680	25mm×20m
CSJC-04-B	700×300×700	25mm×30m
DO OEM	S.S & M.S MATERIAL	



CSJC-05 SURFACE MOUNTED TYPE FIRE HOSE REEL CABINET

ITEM NO.	L × W × H	HOSE SPECIFICATION
CSJC-05-A	700×250×700	19mm×25m, 19mm×30m
CSJC-05-B	780×250×780	25mm×30m
CSJC-05-C	800×280×800	25mm×30m, 25mm×36m
CSJC-05-D	840×300×840	25mm×30m, 25mm×36m
DO OEM	S.S & M.S MATERIAL	



CSJC-06 RECESSED TYPE FIRE HOSE REEL CABINET

ITEM NO.	L × W × H	HOSE SPECIFICATION
CSJC-06-A	700×250×700	19mm×25m, 19mm×30m
CSJC-06-B	780×250×780	25mm×30m
CSJC-06-C	800×280×800	25mm×30m, 25mm×36m
CSJC-06-D	840×300×840	25mm×30m, 25mm×36m
DO OEM	S.S & M.S MATERIAL	



CSJC-07 SURFACE MOUNTED TYPE FIRE EXTINGUISHER CABINET

ITEM NO.	L × W × H
CSJC-07-A	650×230×700
CSJC-07-B	700×280×740
DO OEM	S.S & M.S MATERIAL



CSJC-08 RECESSED TYPE FIRE EXTINGUISHER CABINET

ITEM NO.	L × W × H
CSJC-08-A	650×230×700
CSJC-08-B	700×280×740
DO OEM	S.S & M.S MATERIAL



CSJC-09 SURFACE MOUNTED TYPE UP-DOWN FIRE CABINET

ITEM NO.	L × W × H	HOSE SPECIFICATION
CSJC-09-A	700×300×1400	19mm×30m, 25mm×30m
CSJC-09-B	780×250×1500	25mm×30m
CSJC-09-C	800×300×1600	25mm×30m, 25mm×36m
DO OEM	S.S & M.S MATERIAL	



CSJC-10 RECESSED TYPE UP-DOWN FIRE CABINET

ITEM NO.	L × W × H	HOSE SPECIFICATION
CSJC-10-A	700×300×1400	19mm×30m, 25mm×30m
CSJC-10-B	780×250×1500	25mm×30m
CSJC-10-C	800×300×1600	25mm×36m, 25mm×30m
DO OEM	S.S & M.S MATERIAL	

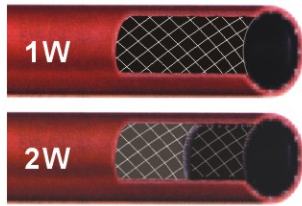


CSJC-11 SURFACE MOUNTED TYPE FIRE HOSE REEL CABINET

ITEM NO.	L × W × H	HOSE SPECIFICATION
CSJC-11-A	680×230×680	25mm×20m, 25mm×25m
CSJC-11-B	700×300×700	25mm×30m
DO OEM	S.S & M.S MATERIAL	



FIRE HOSE EN694



Outer layer is coated by UV inhibitor, colorfast

3/4" × 1W	WP.12Bar	BP.42Bar
3/4" × 2W	WP.20Bar	BP.60Bar
1" × 1W	WP.12Bar	BP.42Bar
1" × 2W	WP.20Bar	BP.60Bar
1 1/4"	WP.12Bar	BP.36Bar
1 1/2"	WP.12Bar	BP.36Bar



FIRE HOSE AS1221



Outer layer is coated by UV inhibitor, colorfast

3/4" Black	WP.12Bar	BP.42Bar
3/4" Red	WP.12Bar	BP.42Bar



CO₂ HOSE



With anti-static spark function

8 × 17mm	WP.150Bar	BP.450Bar
8 × 18mm	WP.150Bar	BP.450Bar
10 × 17mm	WP.150Bar	BP.450Bar



EPDM RUBBER GLOSSY WIRE BRAIDED CO₂ HOSE & WIRE BRAIDED CO₂ HOSE



With anti-aging function

8 × 17mm	WP.150Bar	BP.450Bar
10 × 18mm	WP.150Bar	BP.450Bar
13 × 21mm	WP.150Bar	BP.450Bar



EPDM RUBBER DRY POWDER HOSE



With anti-aging function

8 × 15mm	WP.20Bar	BP.55~60Bar
10 × 17mm	WP.20Bar	BP.55~60Bar
13 × 21mm	WP.20Bar	BP.55~60Bar



PVC DRY POWDER HOSE



Outer layer is coated by UV inhibitor, colorfast

8 × 14mm	WP.20Bar	BP.55~60Bar
10 × 17mm	WP.20Bar	BP.55~60Bar
13 × 20mm	WP.20Bar	BP.55~60Bar



PVC DRY POWDER HOSE WITH COLOR LINING



Outer layer is coated by UV inhibitor, colorfast

8 × 14mm	WP.20Bar	BP.55~60Bar
10 × 17mm	WP.20Bar	BP.55~60Bar
13 × 20mm	WP.20Bar	BP.55~60Bar



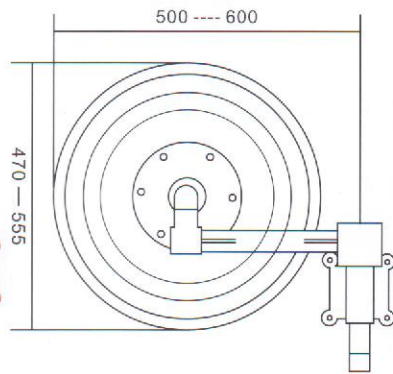
PVC SUCTION HOSE



1"	WP.5Bar	BP.15Bar
1 1/4"	WP.5Bar	BP.15Bar
1 1/2"	WP.4Bar	BP.12Bar

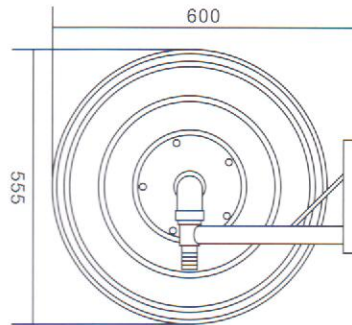
NORMAL NOZZLE





CSJR-04 MANUAL & SWINGING

ITEM NO.	SPECIFICATION
CSJR-04-A	19mm × 25m
CSJR-04-B	19mm × 30m
CSJR-04-C	25mm × 30m
DO OEM	

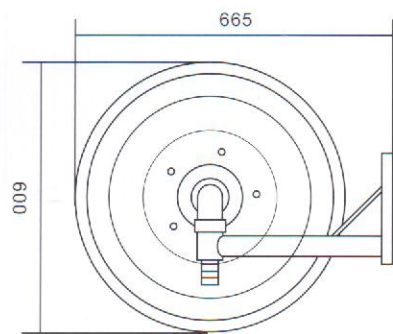


CSJR-05 S.S MANUAL & SWINGING WITH PRESSURE GAUGE

ITEM NO.	SPECIFICATION
CSJR-05-A	19mm × 30m
CSJR-05-B	25mm × 30m
DO OEM	

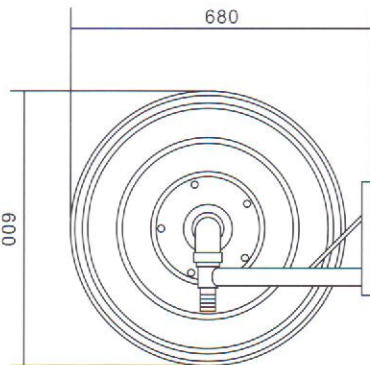


pressure gauge



CSJR-06 MANUAL / AUTOMATIC & SWINGING WITH PRESSURE GAUGE

ITEM NO.	SPECIFICATION
CSJR-06-A	19mm × 30m
CSJR-06-B	25mm × 25m
CSJR-06-C	25mm × 30m
DO OEM	



CSJR-07 MANUAL & SWINGING

ITEM NO.	SPECIFICATION
CSJR-07-A	19mm × 30m
CSJR-07-B	25mm × 25m
CSJR-07-C	25mm × 30m
DO OEM	